

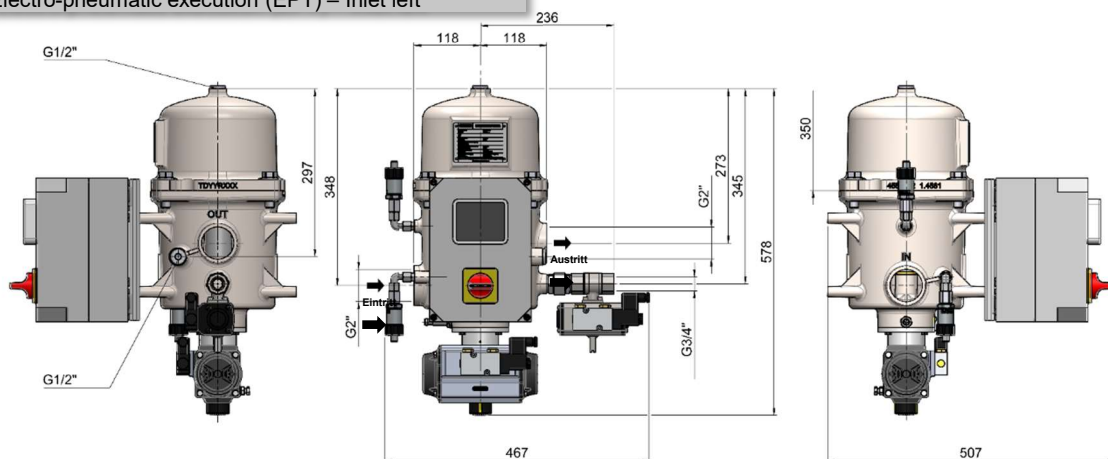
## AutoFilt® RF4W

Automatic stainless steel back-flushing filter for water applications

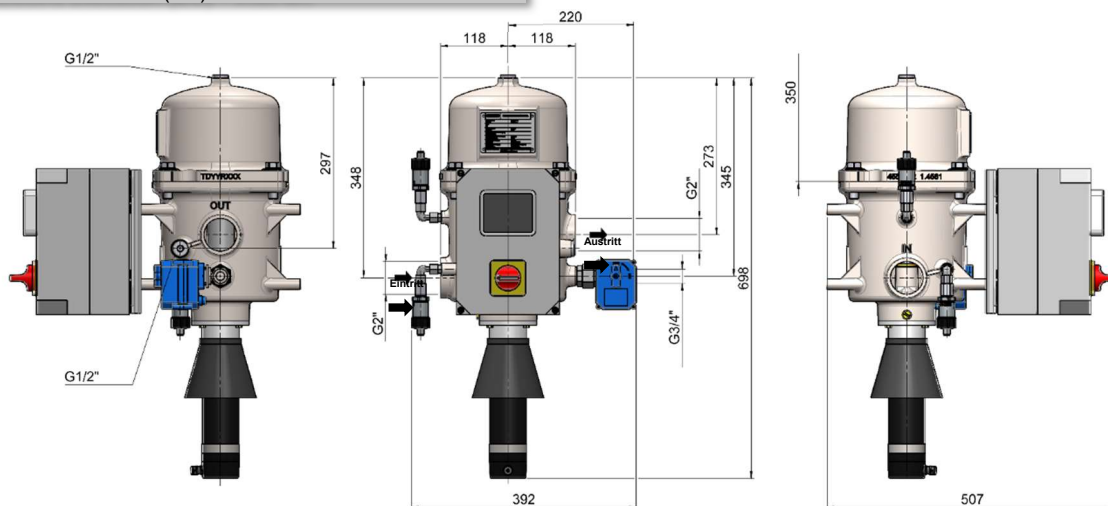
### New housing design:

- Execution, optionally with 4, 5, 6 and 7 filter elements

Electro-pneumatic execution (EPT) – Inlet left



Electric execution (EU) – Inlet left



Technical data of standard models

| Installation size | Pressure level [bar] | Connection Inlet/Outlet | Connection back-flush line | Weight [kg] | Volume [l] | No. of filter elements | Filter area [cm <sup>2</sup> ] | Back-flush volume [l] |
|-------------------|----------------------|-------------------------|----------------------------|-------------|------------|------------------------|--------------------------------|-----------------------|
| 3                 | 10/16                | G 2"                    | G ¾ "                      | 40          | 9          | 4                      | 1430                           | 13                    |
|                   |                      |                         |                            |             |            | 5                      | 1785                           | 16,5                  |
|                   |                      |                         |                            |             |            | 6                      | 2140                           | 20                    |
|                   |                      |                         |                            |             |            | 7                      | 2500                           | 23,5                  |

HYDAC  
Process Technology GmbH

Industriegebiet Grube König  
Am Wrangelflöz 1  
D-66538 Neunkirchen

Tel: +49/6897/509-1241  
Fax: +49/6897/509-1278

E-Mail:  
prozess-technik@hydac.com  
[www.hydac.com](http://www.hydac.com)

Subject to technical changes

2021-09-30



Further information at HYDAC HIS  
<https://his.hydac.com/en/product-divisions/hydac-process-technology/>